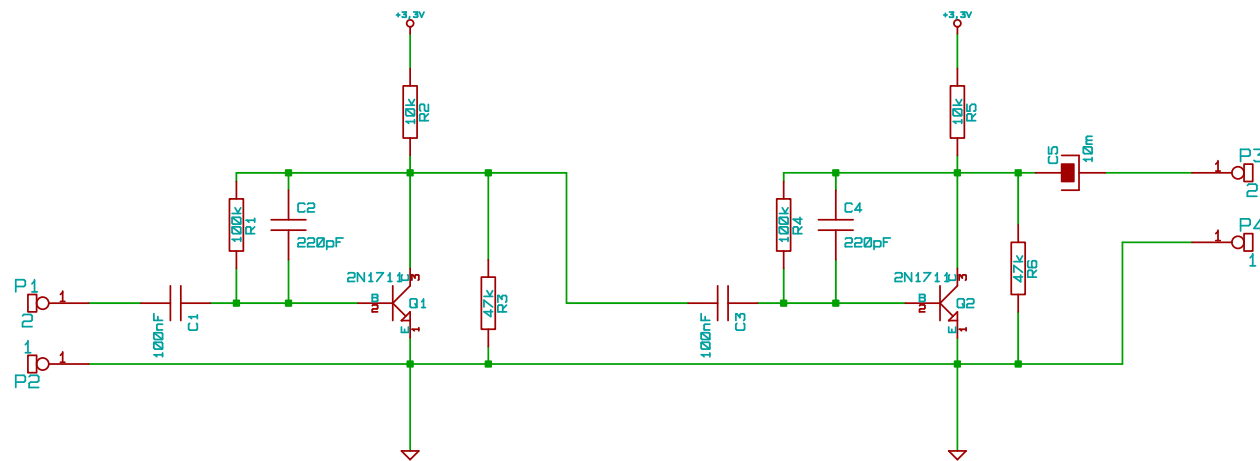


MONTRED



SORTIE AUDIO

Title:		
Size: A4	Date: 21 mar 2008	Rev:
KiCad E.D.A.	EESchema (2006-08-28)	Sheet: 1/1